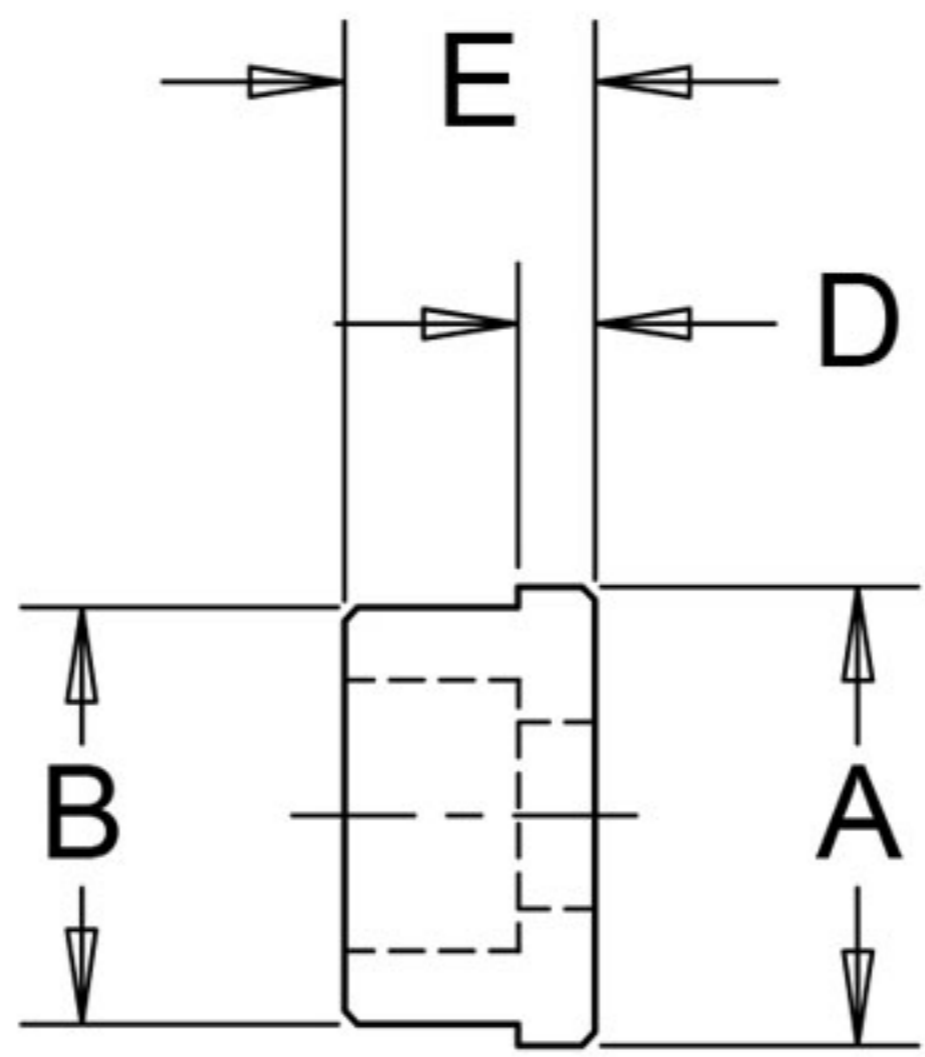
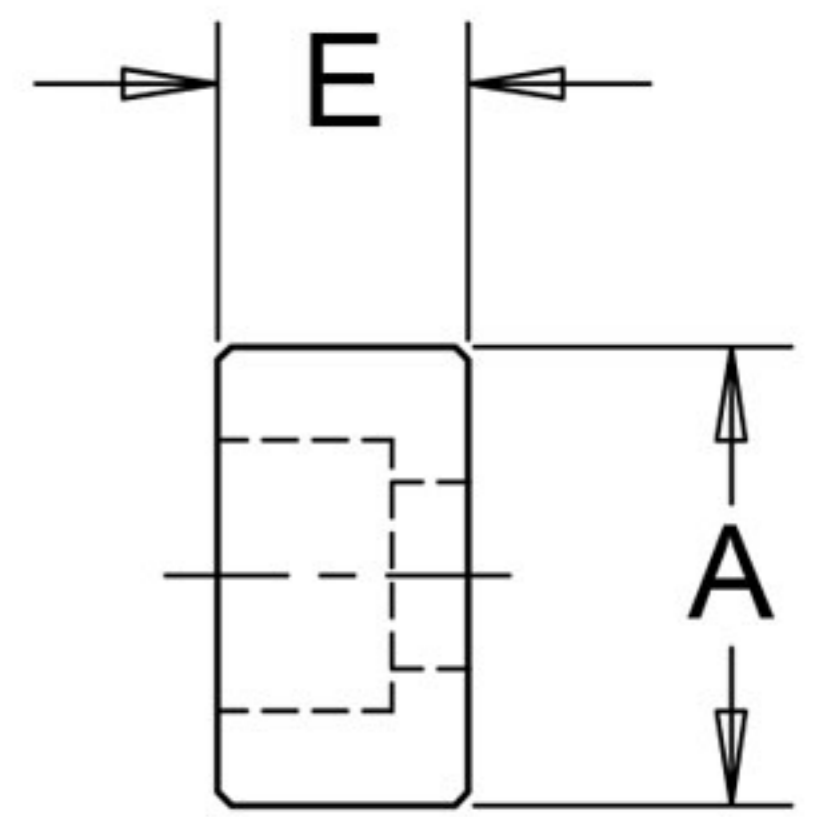


F SHCS
MTG. HOLE



STEP KEY



PLAIN KEY